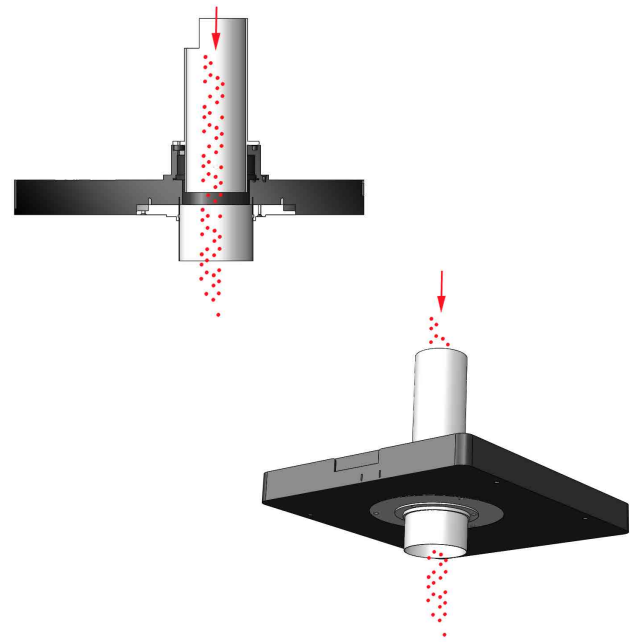
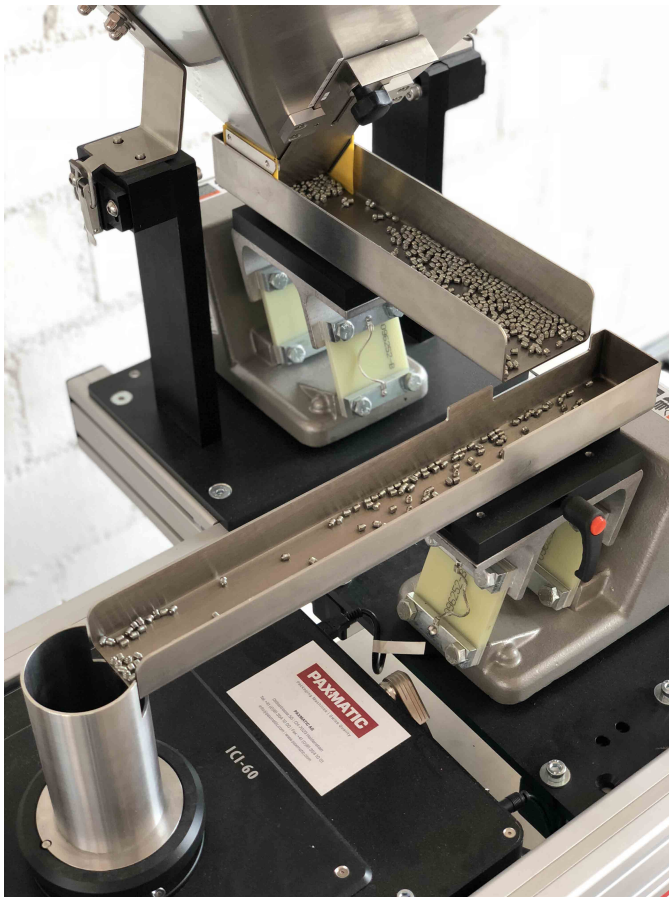


MULTI COUNTER



COUNTING PRINCIPLE - „FREE FALL“

Objects pass through the detection unit vertically, while maintaining a continuous uniform falling rate

TECHNICAL DATA

Counting speed:	up to 25'000 parts / min
Counting head:	ø 60 mm (ideal for objects sized 0.5 mm bis 25 mm)
Accuracy:	99.5 - 100 %
Calibration modes:	manual and automatic
Feeding channels:	individually exchangeable

FEATURES

- High-speed, accurate counting solution
- Counting modes: non-target count (free count), target count
- User-friendly and multi-language interface with touch-display
- Fast emptying
- Low maintenance
- Reduced overfill rates due to accurate counts in packaging - products are saved for future orders
- Short order processing time
- Object variety: one system can count numerous object types
- Job order management
- Traceability: job details (dates, users, actual counts per bag) are stored, can be searched and saved externally